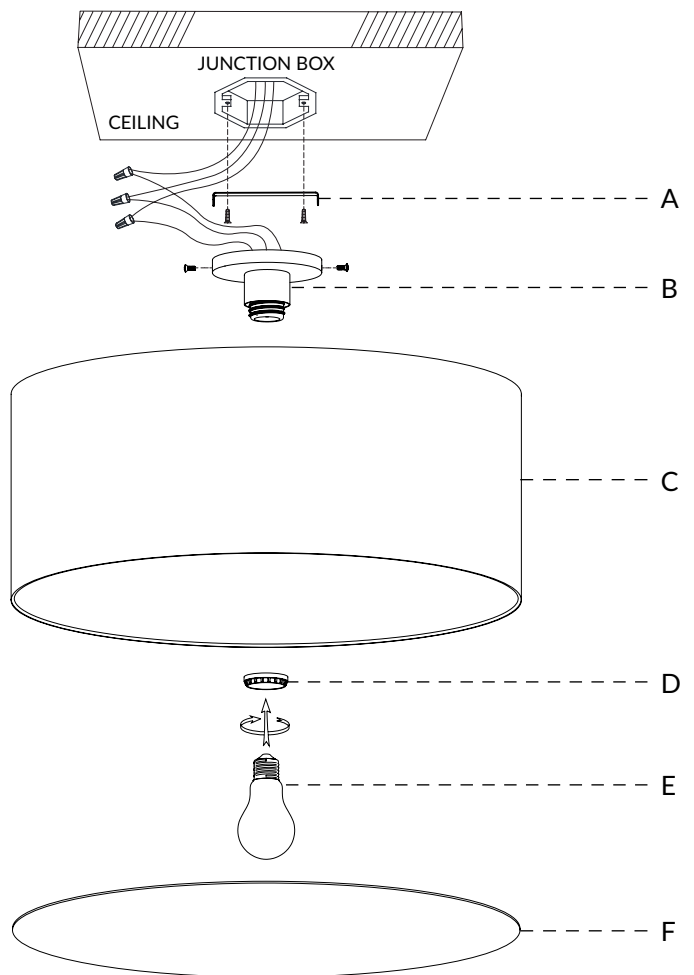


ASSEMBLY INSTRUCTIONS

Stretch 22" Flush Mount

1. Turn off the power supply at the fuse box.
2. Carefully remove all parts from the carton and place them on a clean surface. Please refer to the list of included items inside the carton.
3. Secure mounting plate (A) to junction box with screws (found in the hardware bag).
4. Attach positive (black), negative (white), and ground (green or bare copper) wires from junction box to matching black, white, and bare copper wires from the canopy of the flush mount assembly (B) with wire connectors.
5. Secure flush mount assembly (B) to the mounting plate (A) with the short screws provided.
6. Attach shade (C) to socket of the flush mount assembly (B) and secure with socket ring (D).
7. Insert the light bulb (E) into the socket.
8. Place diffuser (F) over the steel tabs at the bottom of the shade (C).
9. Turn the power back on at the fuse box and enjoy the beautiful light!



ITEMS INCLUDED / ARTÍCULOS INCLUIDOS

A	B	C	D	E	F
MOUNTING PLATE/ PLACA DE MONTAJE	FLUSH MOUNT ASSEMBLY/ MONTAJE EMPOTRADO	SHADE/ PANTALLA	SOCKET RING/ ANILLO DE ENCHUFE	LIGHT BULB/ BOMBILLA	DIFFUSER/ DIFUSORA

IMPORTANT SAFETY INSTRUCTIONS

This light fixture should be installed in accordance with all applicable, local installation codes, and by a person familiar with the construction and operation of it, as well as the hazards involved. Inspect items and contents carefully. If any damage or defect is found, do not install. Retain all packaging material until installation is complete and approved.

INSTRUCCIONES DE SEGURIDAD IMPORTANTES

Esta luminaria debe instalarse de acuerdo con todos los códigos de instalación locales aplicables y por una persona familiarizada con su construcción y funcionamiento, así como con los riesgos que conlleva. Inspeccione cuidadosamente el producto y su contenido. Si detecta algún daño o defecto, no lo instale. Conserve todo el material de embalaje hasta que la instalación esté completa y aprobada.